

DESCRIPTION

AMC MODEL SWN-AGRA-1DR-TTL-GAK1 IS A 2 TO 18 GHz SINGLE POLE SINGLE THROW SWITCH HAVING AN INSERTION LOSS OF 3.0 dB MAXIMUM, AN ISOLATION OF 70 dB MINIMUM, AND VSWR OF 2.0:1. THE SIZE IS 1.00" x 1.00" x 0.50". THE WEIGHT IS 1.5oz.

SPECIFICATIONS

- FREQUENCY RANGE: 2 TO 18 GHz
- INSERTION LOSS: 3.0 dB MAXIMUM
- ISOLATION: 70 dB MINIMUM
- VSWR: 2.0:1
- DELAY ON: 10 nSec MAXIMUM
- DELAY OFF: 10 nSec MAXIMUM
- CONTROL: TTL LOGIC (0V=ON; +5V=OFF)
- POWER SUPPLY: +5V @ 60 mA MAXIMUM
..... -5V @ 60 mA MAXIMUM
- TEMPERATURE: -54°C TO +85°C (OPERATING)
- CONNECTORS: SMA FEMALE
- SIZE: 1.00" (L) x 1.00" (W) x 0.50" (H)
- WEIGHT: 1.5 oz. MAXIMUM

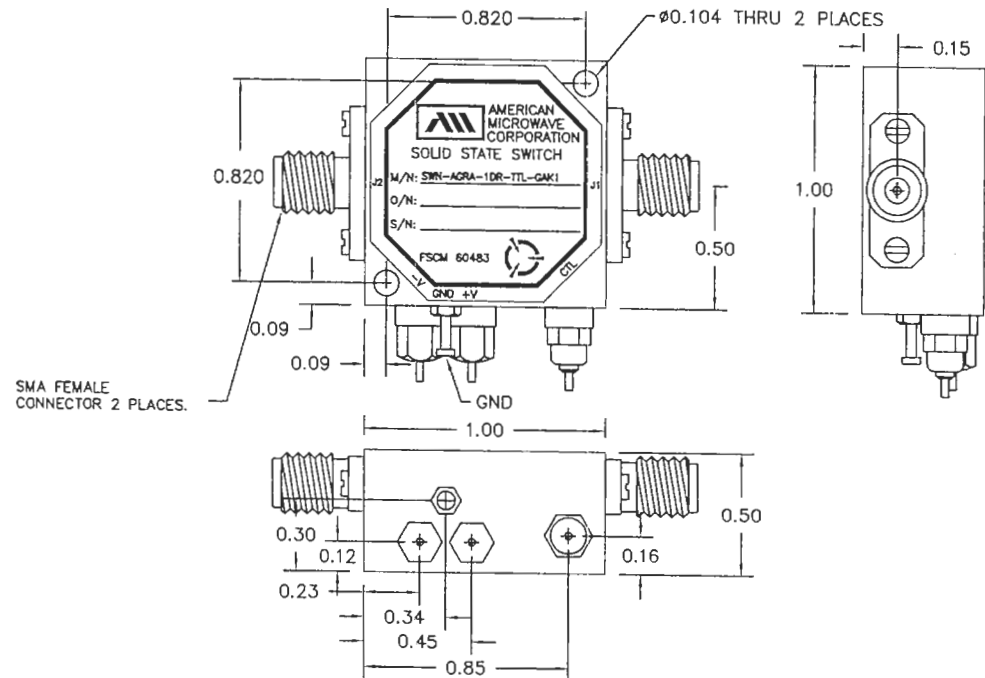
ENVIRONMENTAL RATINGS

- TEMPERATURE: -55°C TO +85°C (OPERATING)
..... -65°C TO +125°C (STORAGE)
- HUMIDITY: MIL-STD-202F, METHOD 103B COND. B
- SHOCK: MIL-STD-202F, METHOD 213B COND. B
- VIBRATION: MIL-STD-202F, METHOD 204D COND. B
- ALTITUDE: MIL-STD-202F, METHOD 105C COND. B
- TEMPERATURE CYCLE: MIL-STD-202F, METHOD 107D COND. A

NOTE: SPECIFICATIONS WILL VARY OVER OPERATING TEMPERATURE
NOTE: THE ABOVE SPECIFICATIONS ARE SUBJECT TO CHANGE OR REVISION

ALL DIMENSIONS ARE IN INCHES
TOLERANCES:
X.XX ±0.020
X.XXX ±0.010

REV. NO.		REVISIONS	DATE	APPROVED
ZONE	REV.	DESCRIPTION		
-	-	ORIGINAL RELEASE	1/15/99	



AMERICAN MICROWAVE CORPORATION

7311-G GROVE ROAD
FREDERICK, MARYLAND 21704 USA
TEL: 301-662-4700 FAX: 301-662-4938
WEBSITE: www.americamicrowavecorp.com
E-MAIL: sales@americamicrowavecorp.com
ISO 9001:2000 CERTIFIED



APPROVALS		DATE	TITLE			
DRAWN <i>K JPM/MS</i>		1/15/99	PRODUCT FEATURE			
REDRAWN <i>JDJ</i>		8/24/04	SWN-AGRA-1DR-TTL-GAK1			
ISSUED <i>PA</i>		8/25/04	2 TO 18 GHz SINGLE POLE SINGLE THROW SWITCH			
SIZE	FSCM NO.	DWG NO.	REV.			
A	60483	100-4713	-			
SCALE	N:S		SHEET	1 OF 3		